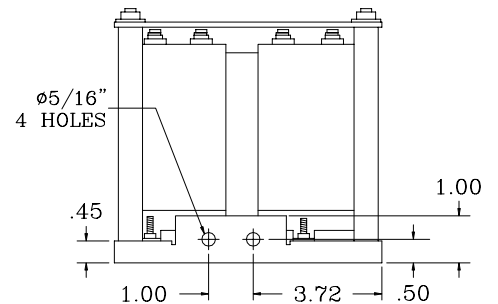
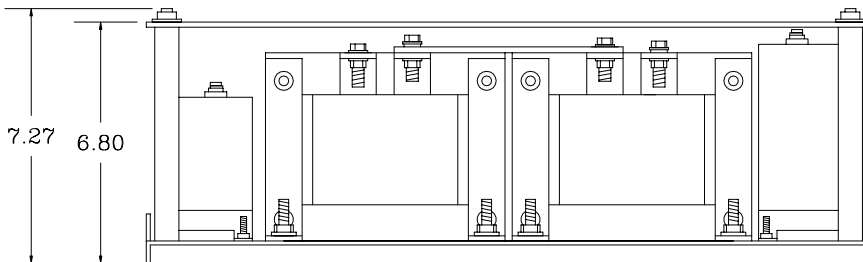
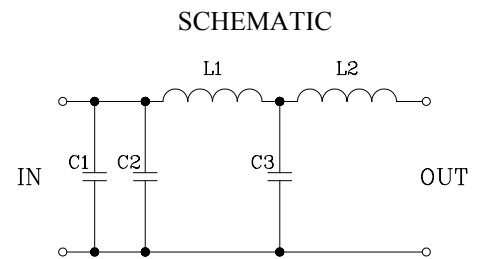
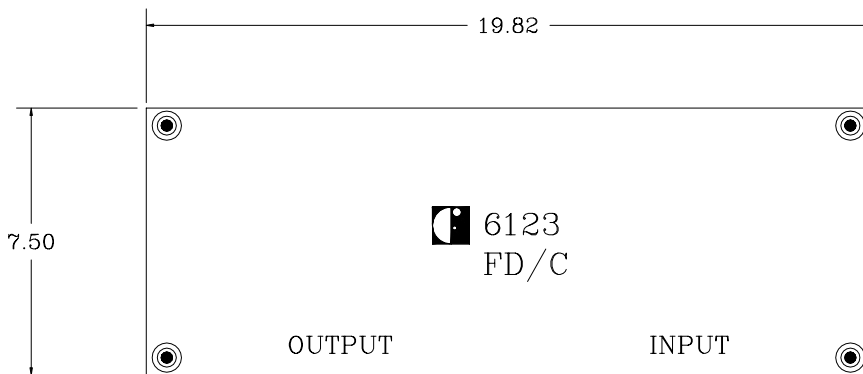


The 6123 was designed to reduce the ripple noise generated by the inverter circuit in generator sets. This is just one of several custom line filter assemblies that have been designed for a variety of input voltages and currents up to 400A.

MECHANICAL AND SCHEMATIC (All dimensions in inches)



ELECTRICAL SPECIFICATIONS @ 25°C

Issue B 10/10/02

Input Voltage		28 VDC
Noise Attenuation	@ 100A load	> 30 dB _{rnc}
Frequency Attenuation (with 50Ω source & load)	@20 Hz	> 70 dB
	Above 1 kHz	> 100 dB
Ambient temperature		-40°C to +85°C